

[www.heated-towel-rails-warmers.co.uk](http://www.heated-towel-rails-warmers.co.uk) is a trading name of (Clayton Horsnell LTD)

*We are an established company which is rapidly growing. The company runs along side a family business with over 40 years of experience in trade, retail and distribution in the plumbing and heating industry. Our product range and suppliers are from the best in the business and by using these suppliers we assure and maintain quality products to our customers*

## Milano Electric White Flat Towel Rail 739mm X 600mm



Milano Electric White Flat Towel Rail 739mm X 600mm

## Price

Your Price: £216.00

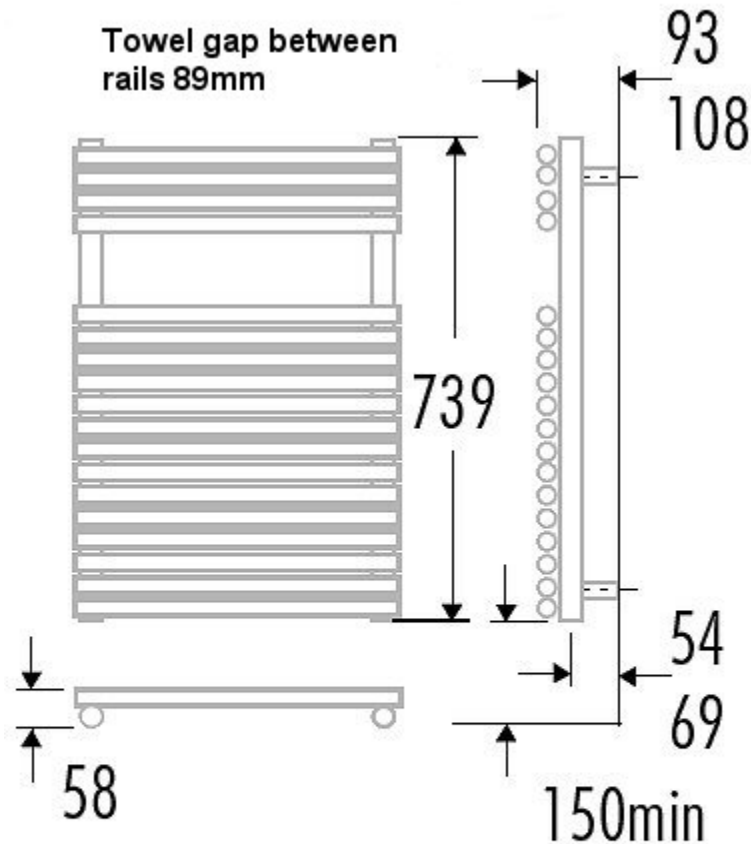
**Comprehensive, 5 year guarantee.  
Delivery on all Rails within 3 – 5 Working Days**

## Product Features

- 739mm High X 600mm Wide
- Output 517 watts (1723 BTU's) @ 60k
- Fitted with one Electric Element and filled with heat translucent liquid (same as oil filling)
- Wall mounted 'Ladder' style.
- Ideal for Bathrooms, En-suites, Kitchens and Cloakrooms.
- Tough, white epoxy polyester finish (Ral 9101 white).
- Made from high quality tubular steel.
- Fully tested to EN442.
- Installation kit includes wall brackets, air vent and end plug.
- Maximum operating pressure 8 bar.

**Note:** The picture is only an example and your rail may differ in size. Please refer to the technical drawing below.

## Technical Diagram



- 1/2in B.S.P.F Tapping centres = width-50mm

## Contact Us

Head Office (Not show Room)  
Clayton Horsnell LTD  
Unit 6  
Corporation Yard  
2a Harwich Road  
Colchester  
Essex  
CO4 3BN

## Essex Show Room







This show room is used in conjunction with  
CC Discount Heating LTD & Clayton Horsnell Ltd  
as it is part of a family business :-  
2 – 4 Harwich Road  
Colchester  
Essex  
CO4 3BN

[www.heated-towel-rails-warmers.co.uk](http://www.heated-towel-rails-warmers.co.uk)

### Email addresses

Trade & Retail inquires [sales@tradeplumbing.co.uk](mailto:sales@tradeplumbing.co.uk)  
Returns [sales@tradeplumbing.co.uk](mailto:sales@tradeplumbing.co.uk)  
Web promotions/suggestions/problems [sales@tradeplumbing.co.uk](mailto:sales@tradeplumbing.co.uk)  
Advertising [sales@tradeplumbing.co.uk](mailto:sales@tradeplumbing.co.uk)

### PROBLEMS ORDERING ON LINE:-

Any ordering problems please contact support at [sales@tradeplumbing.co.uk](mailto:sales@tradeplumbing.co.uk)

Normally most problems when ordering are Ad-aware popup blockers. To solve this go to tools and internet options clear the cookies & history as this solves 90% of order problems.

Some times you will have to disable your popup blocker or allow pop-ups from our site. If you do have any problems or find faults on our website please email [sales@tradeplumbing.co.uk](mailto:sales@tradeplumbing.co.uk) .

## **WHY NO TELEPHONE NUMBERS FOR ORDERING**

If you would like to contact us directly we do offer an e-mail/phone back service but this is for limited usage as we prioritise emails. All you have to do is email us your information and any questions you need answering. We will either reply by phone/email with the answer to any questions.

We do this to cut costs of using a call centre thus competitive prices in reflection.

## **NEED HELP**

We have added a mobile phone number to help you if in you need to consult someone in a difficult situation. We only offer these services as the last resort for you as the customer.

We do not have a phone system as this will increase the prices of our products. As a company that prides itself on customer service and competitive pricing we give you - the customer the best price in the UK and to do this we have to cut costs.

**IF YOU DO NEED TO CONTACT US BY PHONE PLEASE CALL  
(BETWEEN THE HOURS OF 9AM-5PM ONLY ON 0870 803 4288.  
ONE OF THE TEAM WILL TRY TO HELP WITH YOUR PROBLEM**